




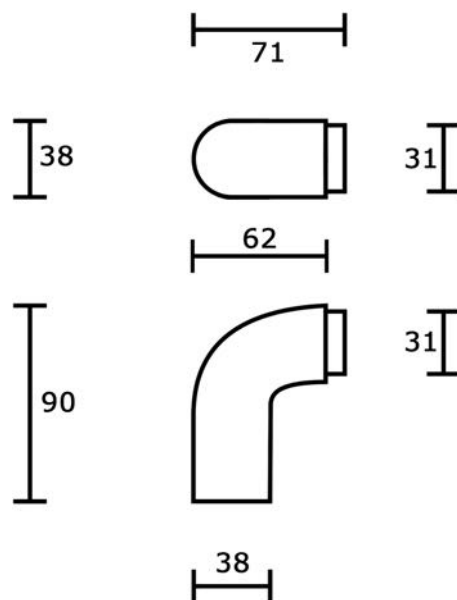
**ART. 356/S**

Plastic support for door handles  
with aluminium bar.

▪ Finishes:

 Satin black plastic ABS

2 curves + 2 screws to make a door handle(through  
screw fixing).



Measurements in mm.